

Gestra Radial Stage Nozzles ZK have been standardised

For the following applications

- Draining and warming up of steam systems
- Injection of boiler water
- Preheater discharge control
- Feedwater flow control
- Leak-off control for feed pumps
- Pressure reducing processes etc.

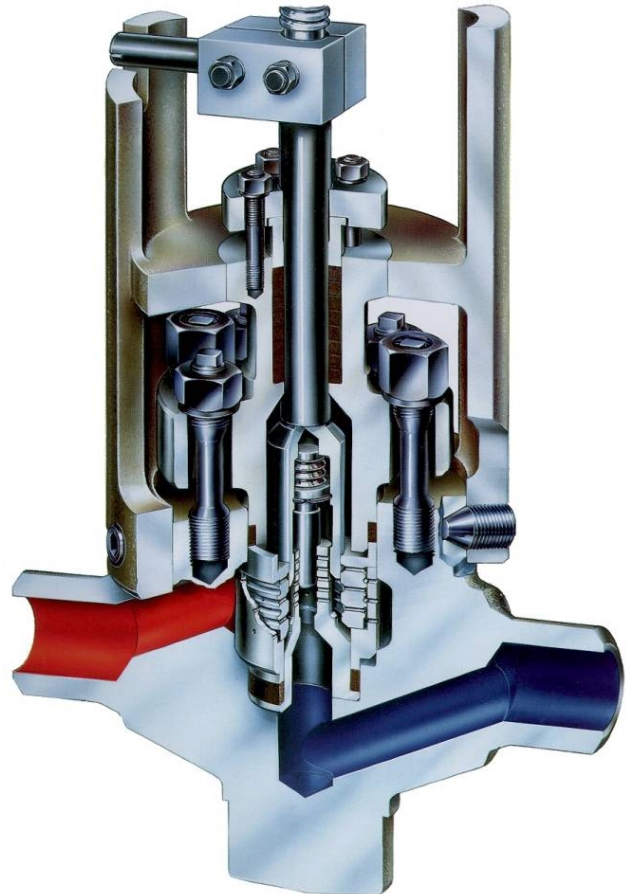
the standardised control valves ZK with AUMA/AUMAMATIK actuators, incl. TRD approval, will be available as of 1st October and can be delivered within 8 weeks.

- ZK 29/14 DN 25 up to 80
- ZK 210/14 DN 25 up to 50
- ZK 313/11 DN 25 up to 65.

Up to now more than 6000 control valves with radial stage nozzles ZK have been used worldwide for a great variety of applications.

Benefits offered by control valves with radial stage nozzle ZK:

- Highly wear resistant
- Tight shut-off
- Low noise level



GESTRA - the Steam Experts

Interested? Please contact Mr. Franz Rysavy, GESTRA GmbH, Marketing,
Tel.+49 421 3503-428 <mailto:frysavy@gestra.de>

GESTRA is a global leader in the design and production of valves and control systems for heat and process fluid control. Being a member of the Invensys group, we are capable of offering our customers complete and intelligent solutions engineered to function with maximum reliability.

Our products and services have many practical applications and are employed where

- steam is generated, distributed or used
- fluids flow
- energy saving is possible
- environmental protection and safety-oriented control systems are needed.

Visit us at <http://www.gestra.de> or

click to connect: gestra.today@gestra.de when you

- want to subscribe to the e-mail distribution list
- know someone who wants to subscribe to the e-mail distribution list
- want to unsubscribe from the distribution list
- want to submit an article
- have any questions

Please state whether you want an English or German version.